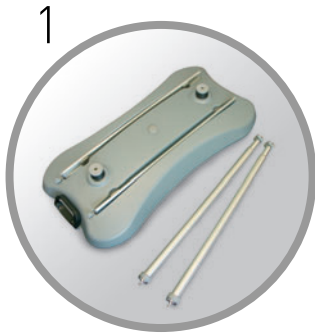


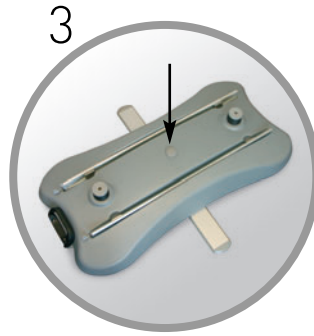
LANDMARK Assembly Instructions



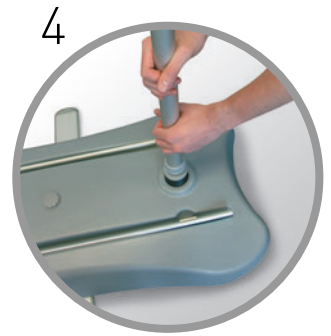
1 Remove base and telescopic poles from carry bag.



2 Rotate stabilising foot outwards underneath the base for extra stability.



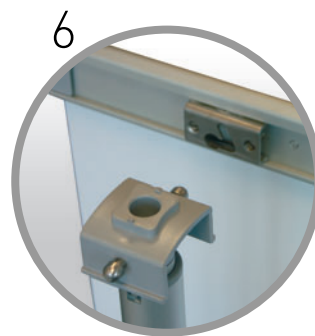
3 Fill base with water through centre plug and screw cap back on.



4 Screw the telescopic poles tightly into the spring mounts.



5 Pull out graphic upwards from the base holding the graphic rail.



6 Align and insert the locating pins of the telescopic poles to the holes of the graphic rail. Move the graphic rail to the right and lower to secure.



7 Attach other end of graphic rail to pole moulding. Repeat for the other graphic



8 Raise both telescopic poles at the same time to the desired height option, ensuring that each section clicks into position.



9 Your installation is now complete.

