

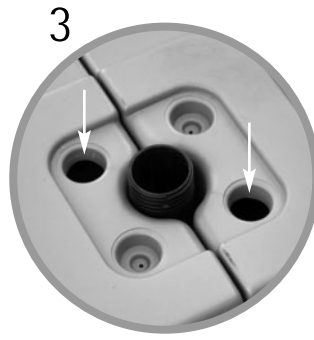
TopSail Assembly Instructions



1 Open out base section.



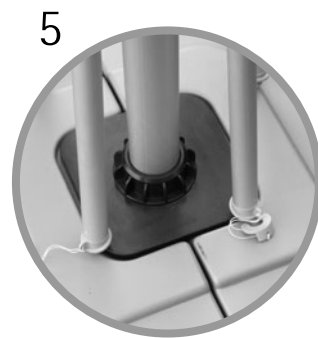
2 Fully insert core through centre of base until threaded end appears through other (top) side.



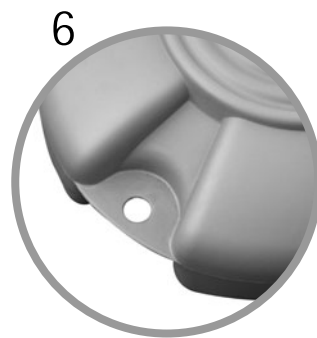
3 Fill both halves with water.



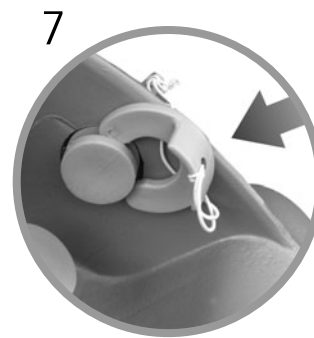
4 locate base plate over threaded end and screw on fluted collar.



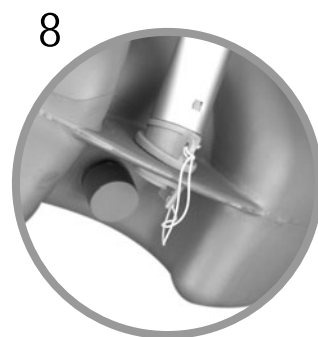
5 Insert telescopic pole into hole and tighten the collar.



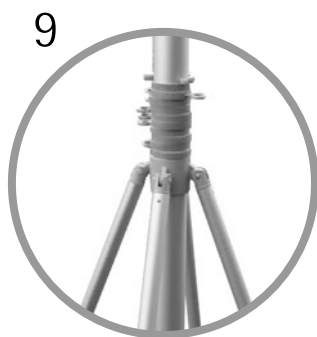
6 Locate the four stabilising rods in each corner hole of the base.



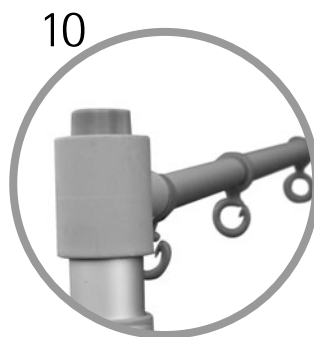
7 Push each rod through hole and slide across the 'c' washer to secure.



8 All rods should now be firmly held in place.



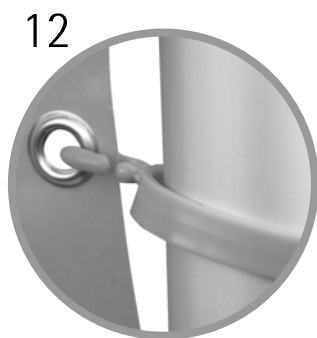
9 Slide rings onto pole.



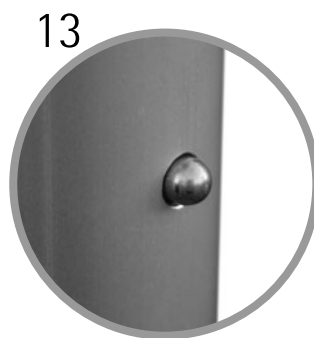
10 Affix support arm to top of pole and screw on nut to hold in place.



11 Hang the graphic on the arm using the rings...



12 ...and from the top downwards, teather the side of the graphic to the pole rings.



13 The pole can now be raised to the desired height with the aid of the locating pins.

