

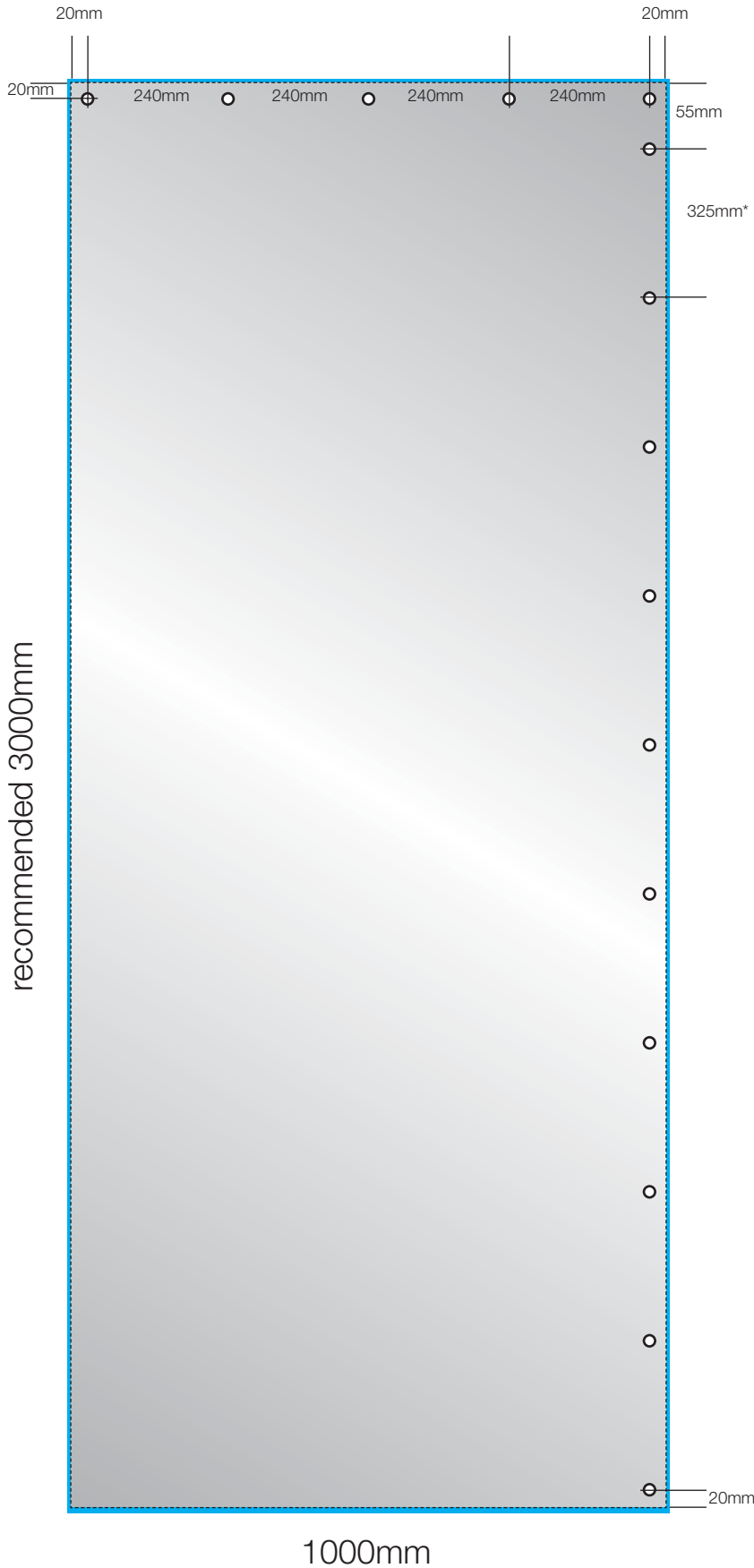


TOPSAIL - Banner graphic system

- Double sided image with eyelets 1700mm to 3000mm height option x 1000mm wide
- Flexible indoor/outdoor design with telescopic pole
- Water fillable base (70L capacity)
- Two carry bags
- Overall height (fully extended) 5400mm
- Overall height of system 5465mm (maximum)
- Net weight 15.1kg
- Quality assured - 5 year guarantee

TopSail Graphic Specification

1000mm x 3000mm



Visible graphic area 1000mm x 3000mm

Image bleed area 1010 x 3010mm

13mm eyelets (centre 20mm from edge)

n.b. 1000mm x 3000mm is the recommended maximum graphic dimension for the TopSail. Due to the design of this system, graphics can be produced to any height up to 3000mm.

**325mm represents the total height of 3000mm minus the spacing (55mm top and 20mm bottom) and divided by number of gaps (9) between the 10 eyelets.*

There are a maximum of 10 pole rings on the pole and no minimum.

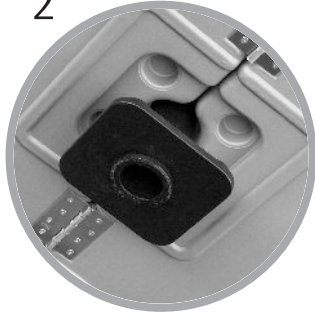
TopSail Assembly Instructions

1



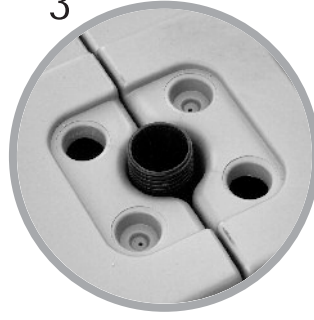
Open out base section
unscrew filler caps and fill
both halves with water.

2



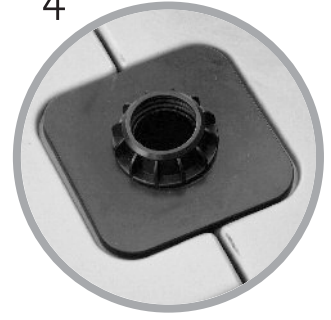
Fully insert core through centre
of base...

3



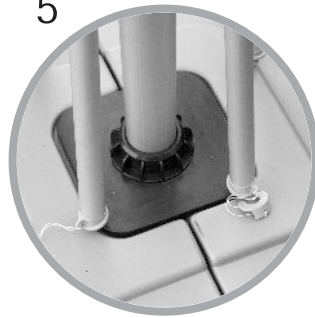
...until threaded end appears
through other (top) side.

4



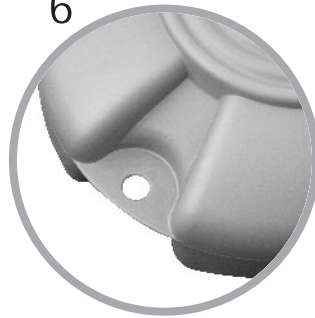
locate base plate over
threaded end and screw on
fluted collar.

5



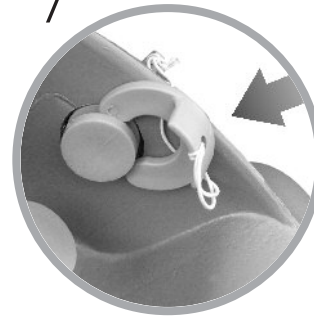
Insert telescopic pole into hole
and tighten the collar.

6



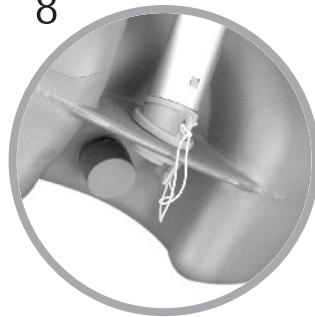
Locate the four stabilising
rods in each corner hole of
the base.

7



Push each rod through hole
and slide across the 'c'
washer to secure.

8



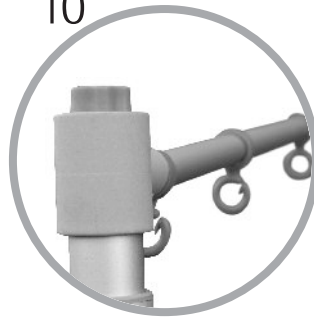
All rods should now be firmly
held in place.

9



Slide rings onto pole.

10



Affix support arm to top of
pole and screw on nut to hold
in place.

11



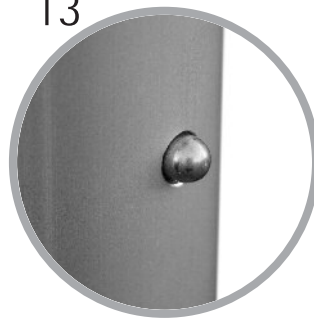
Hang the graphic on the
arm using the rings...

12



...and from the top downwards,
teather the side of the graphic
to the pole rings.

13



The pole can now be raised to
the desired height with the
aid of the locating pins.